

### Special Features include:

1/3 inch Sony Super HAD CCD image sensor

Horizontal Resolution: 380 TV Lines

Sensitivity: 0.1 Lux, Night 0.01 Lux, IR LED On

Built-in IR LED and CDS sensor

Auto White Balance

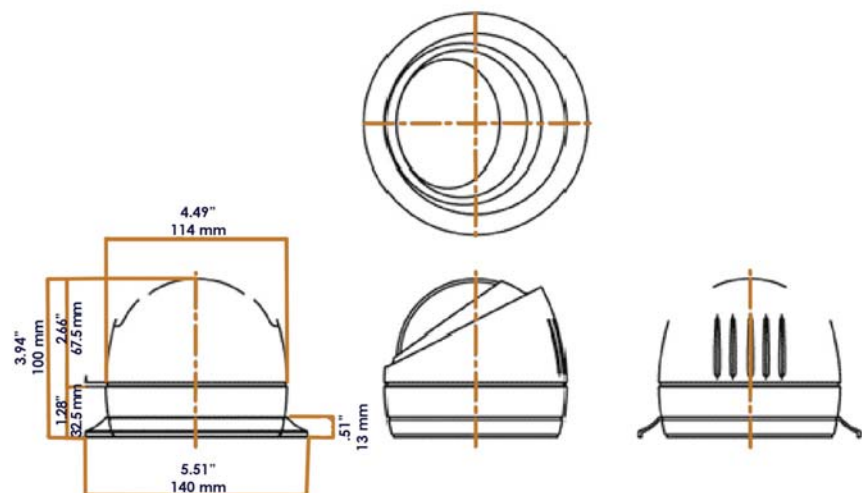
AGC

Dome Size: 3.9 inches (100mm)

### IR Space Dome Camera



### Dimensional Drawings



Model	LDIRC270N	LDIRC270P
Signal System	NTSC : 525 Lines	PAL : 625 Lines
Scanning System	2 : 1 Interlace	2 : 1 Interlace
Scanning Frequency (H)	15.734 KHz	15.625 KHz
Scanning Frequency (V)	59.94 Hz	50 Hz
Sync System	Internal	Internal
Image Sensor	1 / 3 inch Sony Super HAD CCD	1 / 3 inch Sony Super HAD CCD
Total / Effective Pixels	270K / 250K	320K / 290K
Lens	Fixed Lens (f=3.6mm)	Fixed Lens (f=3.6mm)
S / N Ratio	Greater than 48dB (AGC off)	Greater than 48dB (AGC off)
Resolution	Horizontal: 380 TV Lines	Horizontal: 380 TV Lines
Video Output Level	1.0 Vp-p (75 Ohms, Composite)	1.0 Vp-p (75 Ohms, Composite)
Sensitivity	Color, 0.1 lx B/W, 0.01lx, IR LED On	Color, 0.1 lx B/W, 0.00 lx, IR LED On
Electronic Shutter	1 / 60 - 1 / 100,000 Sec	1 / 50 - 1 / 100,000 Sec
White Balance	Auto	Auto
IR LED and CDS Sensor	875mm LED 24 EA, CDS Sensor 1EA	875mm LED 24 EA, CDS Sensor 1EA
LED Light Distance	32 ft (10m)	10m (32 ft)
AGC	Auto	Auto
BLC	Auto	Auto
Supplied Voltage	DC 9V - 15V (Recommendation DC 12+0.5V)	DC 9V - 15V (Recommendation DC 12+0.5V)
Input / Output Connector	Power (Red), GND (Black), Video (Yellow)	Power (Red), GND (Black), Video (Yellow)
Power Consumption	Less than 190mA	Less than 190mA
Dome Size	3.9 inches (100mm)	100mm (3.9 inches)
Weight	8 ounces (225g)	225g (8 ounces)

\*Design and specifications are subject to change without notice

## Additional Lekson Products



Digital Video Recorders



CCTV LCD Monitors



Public View Monitors



Security Cameras

### Lekson Video

3214 North University Ave. #528, Provo, UT 84604

Tel: 1-888-LEKSON1 | Fax: (801) 227-7819

[www.leksonvideo.com](http://www.leksonvideo.com)