

Special Features include:

1/3 inch Sony Super HAD CCD image sensor

Horizontal Resolution: 380 TV Lines

Total Pixels: 270K (NTSC) 320K (PAL)

Sensitivity: Day 0.1 Lux

Auto White Balance

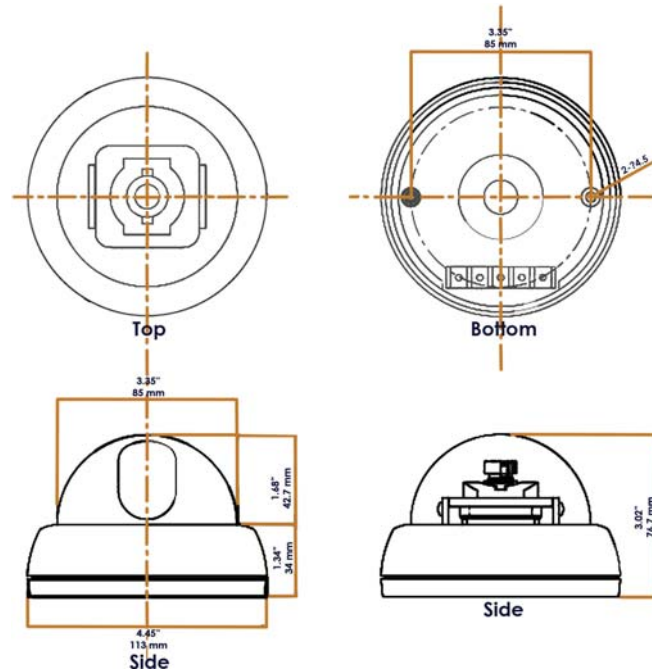
AGC and BLC on/off switches

Dome Size: 3.9 inches (100mm)

Color Dome Camera



Dimensional Drawings



Model	LDMC270N	LDMC270P
Signal System	NTSC : 525 Lines	PAL : 625 Lines
Scanning System	2 : 1 Interlace	2 : 1 Interlace
Scanning Frequency (H)	15.734 KHz	15.625 KHz
Scanning Frequency (V)	59.94 Hz	50 Hz
Sync System	Internal	Internal
Image Sensor	1 / 3 inch IT Super HAD CCD	1 / 3 inch IT Super HAD CCD
Total / Effective Pixels	270K / 250K	320K / 290K
Lens	Fixed Lens (f=3.8mm)	Fixed Lens (f=3.8mm)
Angle of View	88 degrees (f=3.8mm)	88 degrees (f=3.8mm)
Focus	Manual	Manual
S / N Ratio	Greater than 48dB (AGC off)	Greater than 48dB (AGC off)
Resolution	Horizontal: 380 TV Lines	Horizontal: 380 TV Lines
Video Output Level	1.0 Vp-p (75 Ohms, Composite)	1.0 Vp-p (75 Ohms, Composite)
Sensitivity	0.1 Lux / F = 2.0(AGC On)	0.1 Lux / F = 2.0(AGC On)
Electronic Shutter	1 / 60 - 1 / 100,000 Sec	1 / 50 - 1 / 100,000 Sec
White Balance	Auto	Auto
AGC	On / Off Switch	On / Off Switch
BLC	On / Off Switch	On / Off Switch
Supplied Voltage	DC 9V - 15V (Recommendation DC 12+0.5V)	DC 9V - 15V (Recommendation DC 12+0.5V)
Input / Output Connector	Power (Red), GND (Black), Video (Yellow)	Power (Red), GND (Black), Video (Yellow)
Power Consumption	Less than 150mA	Less than 150mA
Dome Size	3.9 inches (100mm)	100mm (3.9 inches)
Weight	8 ounces (225g)	225g (8 ounces)

*Design and specifications are subject to change without notice

Additional Lekson Products



Digital Video Recorders



CCTV LCD Monitors



Public View Monitors



IR Security Cameras

Lekson Video

3214 North University Ave. #528, Provo, UT 84604

Tel: 1-888-LEKSON1 | Fax: (801) 227-7819

www.leksonvideo.com