

Special Features include:

1/3 inch Sony Super HAD CCD image sensor

Horizontal Resolution: 380 TV Lines

Sensitivity: 0.1 Lux Low Light

AGC and BLC on/off switches

Auto White Balance

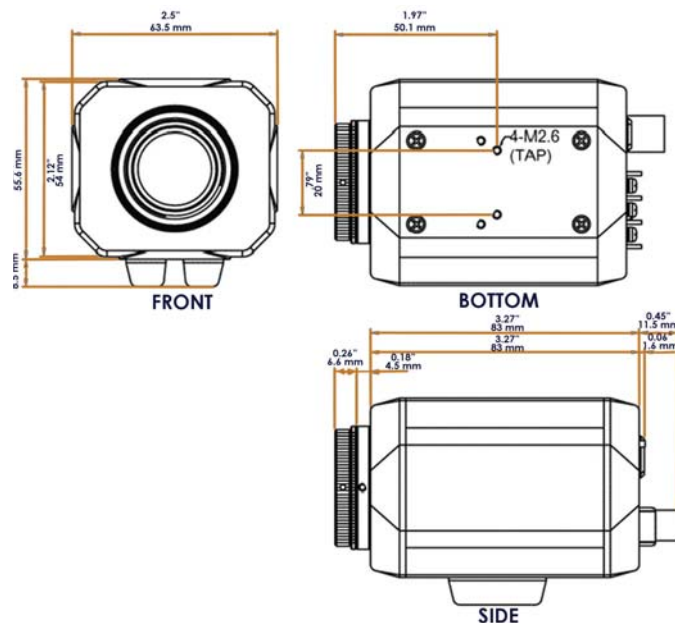
DC/Video Iris

Color Camera



Back View

Dimensional Drawings



Model	LGC270N	LGC270P
Resolution	Horizontal: 380 TV Lines	Horizontal: 380 TV Lines
Signal System	NTSC : 525 Lines	PAL : 625 Lines
Scanning System	2 : 1 Interlace	2 : 1 Interlace
Scanning Frequency (H)	15.734 KHz	15.625 KHz
Scanning Frequency (V)	59.94 Hz	50 Hz
Sync System	Internal	Internal
Image Sensor	1 / 3 inch Sony Super HAD CCD	1 / 3 inch Sony Super HAD CCD
Total / Effective Pixels	270K / 250K	320K / 290K
Lens Mount	C / CS Mount	C / CS Mount
Iris Mode	Video / ELC / DC Switches	Video / ELC / DC Switches
S / N Ratio	Greater than 48dB (AGC off)	Greater than 48dB (AGC off)
Video Output Level	1.0 Vp-p (75 Ohms, Composite)	1.0 Vp-p (75 Ohms, Composite)
Sensitivity	0.1 Lux / F =1.4 (ACG On)	0.1 Lux / F =1.4 (ACG On)
Electronic Shutter	1 / 60 - 1 / 100,000 Sec	1 / 50 - 1 / 100,000 Sec
White Balance	Auto / Hold	Auto / Hold
AGC	On / Off Switch	On / Off Switch
BLC	On / Off Switch	On / Off Switch
Supplied Voltage	DC 9V - 15V (Recommendation DC 12+0.5V)	DC 9V - 15V (Recommendation DC 12+0.5V)
Power Consumption	Less than 130mA	Less than 130mA
Dimensions (W x H x D)	2.5 x 2.2 x 3.7 inches (63.5 x 55.6 x 94.1mm)	63.5 x 55.6 x 94.1mm (2.5 x 2.2 x 3.7 inches)
Weight	12.34 ounces (350g)	350g (12.34 ounces)

*Design and specifications are subject to change without notice

Additional Lekson Products



Digital Video Recorders



CCTV LCD Monitors



Public View Monitors



IR Security Cameras

Lekson Video

3214 North University Ave. #528, Provo, UT 84604

Tel: 1-888-LEKSON1 | Fax: (801) 227-7819

www.leksonvideo.com